

# Transport trolleys G-series professional

For load weights up to 60 metric tons



**JLB 15 G**

**JFB 15 G**



**JLB 22 G**

**JFB 22 G**

## Available with:

JUWathan® plus-coated aluminium core

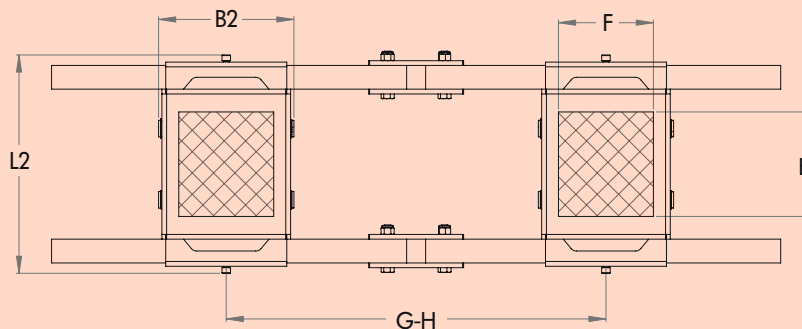
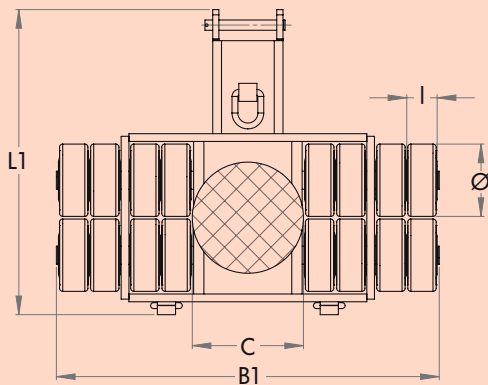


for any floors

Order number 95 050 047-V

▶ Please refer to page 28-29 for additional roller information.

## Sketch

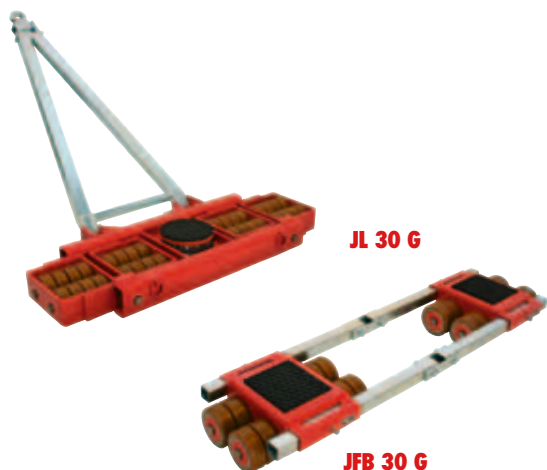


Load weight up to

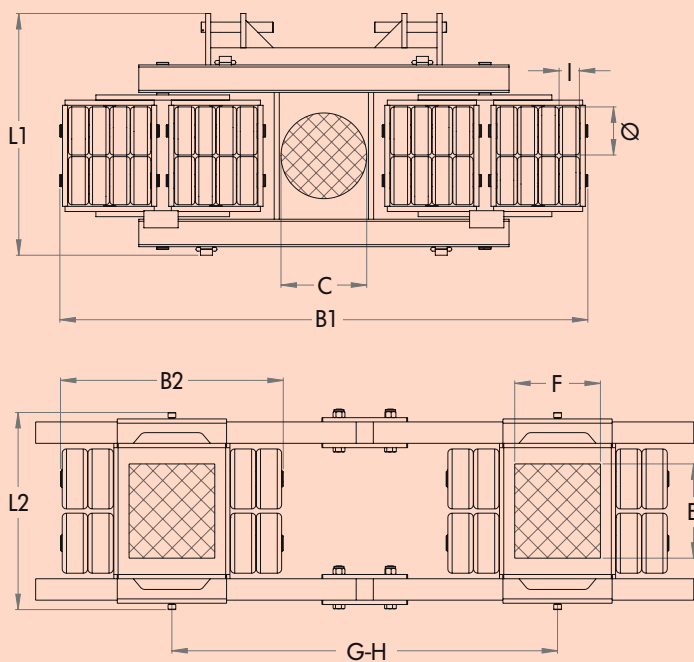
| Type                            | Sketch  | 30 metric tons |                          | 45 metric tons             |                          |                            |
|---------------------------------|---------|----------------|--------------------------|----------------------------|--------------------------|----------------------------|
|                                 |         | JLB 15 G       | JFB 15 G                 | JLB 22 G                   | JFB 22 G                 |                            |
| Load capacity                   |         | kg / lbs       | 15 000 / 33 000          | 15 000 / 33 000            | 22 500 / 49 500          | 22 500 / 49 500            |
| Number of castors               |         | pcs            | 16                       | 16                         | 24                       | 24                         |
| Castor dimensions               | Ø x l   | mm / in        | 140 x 59 / 5.5 x 2.3"    | 140 x 59 / 5.5 x 2.3"      | 140 x 59 / 5.5 x 2.3"    | 140 x 59 / 5.5 x 2.3"      |
| Fitting height                  |         | mm / in        | 180 / 7.1"               | 180 / 7.1"                 | 180 / 7.1"               | 180 / 7.1"                 |
| Supporting surface per cassette | E x F   | mm / in        |                          | 220 x 200 / 8.6 x 7.8"     |                          | 220 x 200 / 8.6 x 7.8"     |
| Cassette dimensions             | L2 x B2 | mm / in        |                          | 460 x 285 / 18.0 x 11.1"   |                          | 460 x 528 / 18.0 x 20.6"   |
| Connecting rod with joint       | Length  | mm / in        |                          | 2 x 1 540 / 60.6"          |                          | 2 x 1 540 / 60.6"          |
| Cassettes adjustable from - to  | G - H   | mm / in        |                          | 475 - 1 300 / 18.7 - 54.3" |                          | 530 - 1 300 / 20.7 - 54.3" |
| Supporting surface of turnable  | Ø C     | mm / in        | 215 / 8.5"               |                            | 215 / 8.5"               |                            |
| Dimensions                      | L1 x B1 | mm / in        | 565 x 741 / 22.2 x 29.1" |                            | 565 x 981 / 22.2 x 38.6" |                            |
| Handlebar with pulling eye      | Length  | mm / in        | 1 230 / 48.4"            |                            | 1 450 / 57"              |                            |
| Weight JUWathan plus            |         | kg / lbs       | 96 / 212                 | 88 / 194                   | 129 / 284                | 113 / 249                  |
| Order-no. with JUWathan plus    |         |                | 09 151 140-V             | 10 151 140-V               | 09 221 140-V             | 10 221 140-V               |

# Transport trolleys G-series professional

For load weights up to 60 metric tons



Sketch



## Advantages in detail

- Pivoting roller cassettes within the frame assure even pressure distribution across all rollers and across the floor. No need for complex and expensive hydraulic compensation system.
- The double roller design results in dramatically easier steering due to reduced friction forces in curves. The much lower friction resistance also causes the rollers on the rear axis to follow in a truer course.
- All transport trolleys are ready for use: The steerable transport trolley is fitted with a ball bearing supported turntable and a handlebar (as shown in picture). The adjustable-width transport trolley consists of two transport units and connecting rod.

Load weight up to

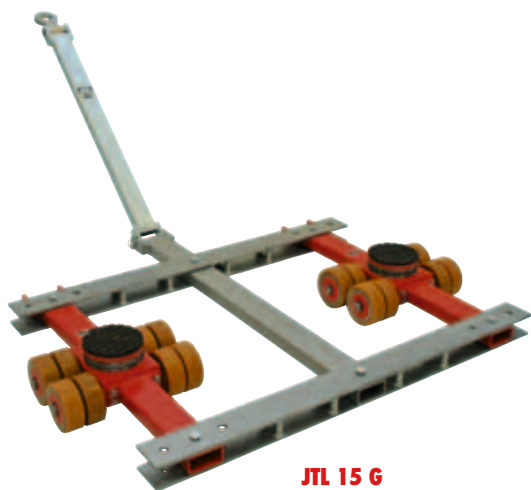
60 metric tons

| Type                            | Sketch               |          | JL 30 G                  | JFB 30 G                   |
|---------------------------------|----------------------|----------|--------------------------|----------------------------|
| Load capacity                   |                      | kg / lbs | 30 000 / 66 100          | 30 000 / 66 100            |
| Number of castors               |                      | pcs      | 32                       | 32                         |
| Castor dimensions               | $\emptyset \times l$ | mm / in  | 140 x 59 / 5.5 x 2.3"    | 140 x 59 / 5.5 x 2.3"      |
| Fitting height                  |                      | mm / in  | 180 / 7.1"               | 180 / 7.1"                 |
| Supporting surface per cassette | E x F                | mm / in  |                          | 220 x 200 / 8.6 x 7.8"     |
| Cassette dimensions             | L2 x B2              | mm / in  |                          | 460 x 528 / 18.0 x 20.6"   |
| Connecting rod with joint       | Length               | mm / in  |                          | 2 x 1 540 / 60.6"          |
| Cassettes adjustable from - to  | G - H                | mm / in  |                          | 530 - 1 300 / 20.7 - 54.3" |
| Supporting surface of turntable | $\emptyset C$        | mm / in  | 250 / 9.4"               |                            |
| Dimensions                      | L1 x B1              | mm / in  | 750 x 1 550 / 29.5 x 61" |                            |
| Handlebar with pulling eye      | Length               | mm / in  | 1 590 / 62.6"            |                            |
| Weight JUWathan plus            |                      | kg       | 312 / 688                | 126 / 278                  |
| Order-no. with JUWathan plus    |                      |          | 09 301 140-V             | 10 302 140-V               |

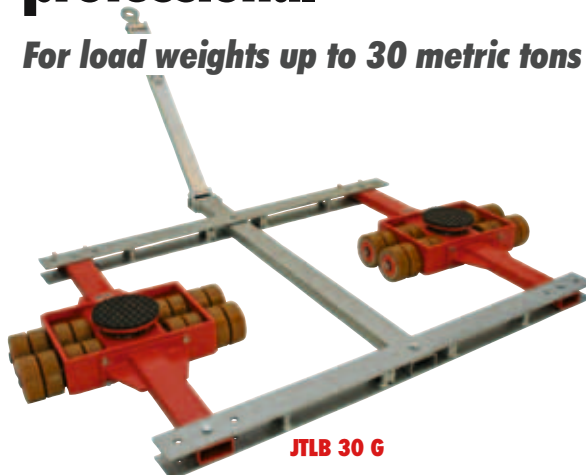
\*other lengths on request

# Transport trolleys G-series professional

For load weights up to 30 metric tons



**JTL 15 G**



**JTLB 30 G**

## Available with:

JUWATHAN® plus-coated aluminium core

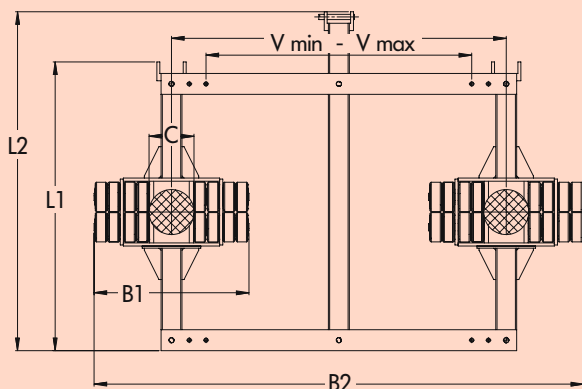


for any floors

Order number 95 050 048-V

Please refer to page 28-29 for additional roller information.

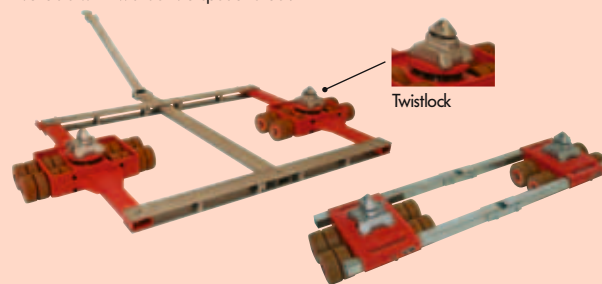
## Sketch



## Advantages in detail

- Large rollers warrant optimal rolling characteristics on uneven surfaces and rough pavements.
- Safely overcomes small ledges, cracks in the concrete and countersunk rail tracks.
- Multi-purpose use: Also useable as two single trolleys, each with half of the combined load capacity. No additional accessories needed.
- Custom solutions available: Ask for individual design with specific measurements and adjustable connections.

Available with twistlock via special order.



Twistlock

Load weight up to

| Type                                | Sketch                 |          | 15 metric tons<br><b>JTL 15 G</b> | 30 metric tons<br><b>JTLB 30 G</b> |
|-------------------------------------|------------------------|----------|-----------------------------------|------------------------------------|
| Load capacity                       |                        | kg / lbs | 15 000 / 33 000                   | 30 000 / 66 100                    |
| Number of castors                   |                        | pcs      | 16                                | 16                                 |
| Castor dimensions                   | $\varnothing \times l$ | mm / in  | 140 x 59 / 5.5 x 2.3"             | 140 x 59 / 5.5 x 2.3"              |
| Fitting height                      |                        | mm / in  | 180 / 7.1"                        | 180 / 7.1"                         |
| Supporting surface of turntable     | $\varnothing C$        | mm / in  | 170 / 6.7"                        | 215 / 8.5"                         |
| Dimensions                          | $L1 \times B1$         | mm / in  | 1 020 x 440 / 40.2 x 17.3"        | 1 328 x 740 / 54.3 x 29.1"         |
| Width of track on connection rod    | E                      | mm / in  | 1 330 / 52.4"                     | 1 700 / 66.9"                      |
| Adjustable from-to Vmin. -Vmax.     |                        | mm / in  | 900 - 1 230* / 35.4-48.4"         | 1 270 - 1 600 / 50 x 63"           |
| Adjustable                          |                        |          | 3x                                | 3x                                 |
| Dimensions                          | $L2 \times B2$         | mm / in  | 1 260 x 1670 / 49.5 x 65.6"       | 1 620 x 2 340 / 63.8 x 92.1"       |
| Handlebar with pulling eye          | Length                 | mm / in  | 1 230 / 48.4"                     | 1 230 / 48.4"                      |
| Weight JUWATHAN plus                |                        | kg       | 168 / 370                         | 291 / 642                          |
| <b>Order-no. with JUWATHAN plus</b> |                        |          | <b>12 150 140-V</b>               | <b>12 302 140-V</b>                |

\*other lengths on request